

**Variable Depth Rotary Operating Kits**

**Rotary, Variable Depth Operators**

- Supplied with external handle, operating shaft, and MCCB mounted operating mechanism.
- Refer to page 56 to select as components.
- Frames G, H, I, and J use a Bul. 140U P-style handle.
- Frames K, M, and N use a Bul. 140U medium style handle.

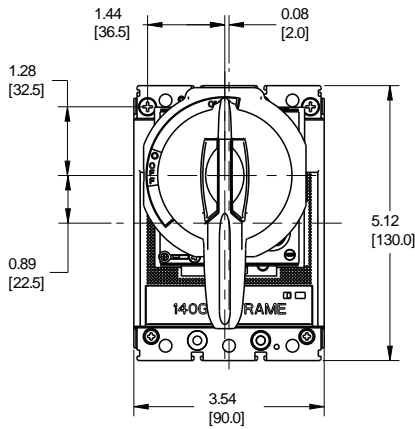
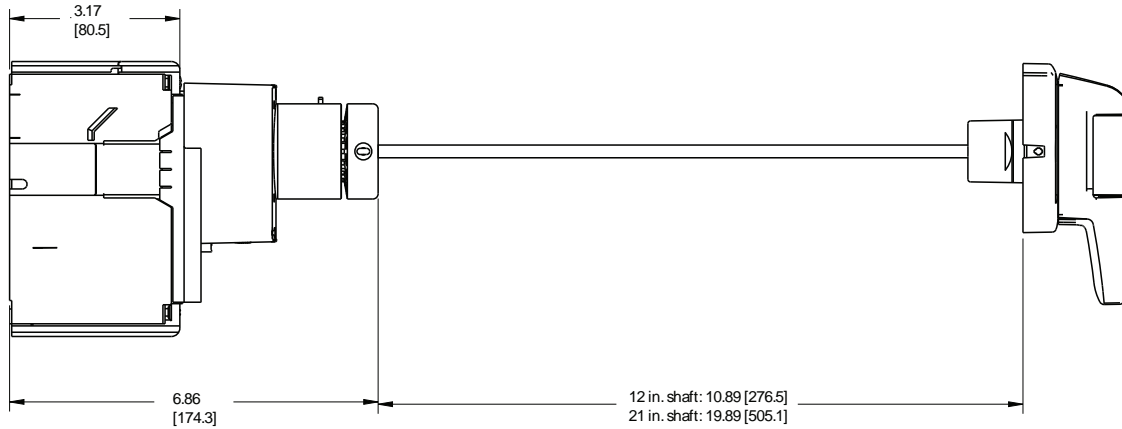
	Frame Size	Handle Color	Shaft Length	Cat. No.
 <p><i>Representative Photo</i></p>	G, I	Black	12 in. (30.48 mm)	140G-G-RVM12B
		Red/Yellow		140G-G-RVM12R
		Black	21 in. (53.34 mm)	140G-G-RVM21B
		Red/yellow		140G-G-RVM21R
	H, J	Black	12 in. (30.48 mm)	140G-H-RVM12B
		Red/yellow		140G-H-RVM12R
		Black	21 in. (53.34 mm)	140G-H-RVM21B
		Red/yellow		140G-H-RVM21R
 <p><i>Representative Photo</i></p>	K	Black	12.6 in. (320 mm)	140G-K-RVM12B
		Red/yellow		140G-K-RVM12R
		Black	22.8 in. (580 mm)	140G-K-RVM21B
		Red/yellow		140G-K-RVM21R
	M	Black	12.6 in. (320 mm)	140G-M-RVM12B
		Red/yellow		140G-M-RVM12R
		Black	22.8 in. (580 mm)	140G-M-RVM21B
		Red/yellow		140G-M-RVM21R
	N	Black	12.6 in. (320 mm)	140G-N-RVM12B
		Red/yellow		140G-N-RVM12R
		Black	22.8 in. (580 mm)	140G-N-RVM21B
		Red/yellow		140G-N-RVM21R

**Rotary, Variable Depth Operators with Internal NFPA 79 Operating Handle**

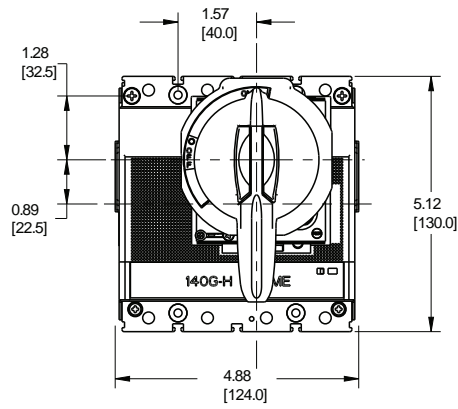
- Supplied with external handle, NFPA handle with operating shaft, support bracket, and MCCB mounted operating mechanism.
- Refer to page 58 to select as components.
- Frames G, H, I, and J use a Bul. 140U P-style handle.
- Frames K, M, and N use a Bul. 140U medium style handle.

	Frame Size	Handle Color	Shaft Length	Cat. No.
 <p><i>Representative Photo</i></p>	G, I	Black	12 in. (30.48 mm)	140G-G-NVM12B
		Red/yellow		140G-G-NVM12R
		Black	21 in. (53.34 mm)	140G-G-NVM21B
		Red/yellow		140G-G-NVM21R
	H, J	Black	12 in. (30.48 mm)	140G-H-NVM12B
		Red/yellow		140G-H-NVM12R
		Black	21 in. (53.34 mm)	140G-H-NVM21B
		Red/yellow		140G-H-NVM21R
 <p><i>Representative Photo</i></p>	K	Black	12.6 in. (320 mm)	140G-K-NVM12B
		Red/yellow		140G-K-NVM12R
		Black	22.8 in. (580 mm)	140G-K-NVM21B
		Red/yellow		140G-K-NVM21R
	M	Black	12.6 in. (320 mm)	140G-M-NVM12B
		Red/yellow		140G-M-NVM12R
		Black	22.8 in. (580 mm)	140G-M-NVM21B
		Red/yellow		140G-M-NVM21R
	N	Black	12.6 in. (320 mm)	140G-N-NVM12B
		Red/yellow		140G-N-NVM12R
		Black	22.8 in. (580 mm)	140G-N-NVM21B
		Red/yellow		140G-N-NVM21R

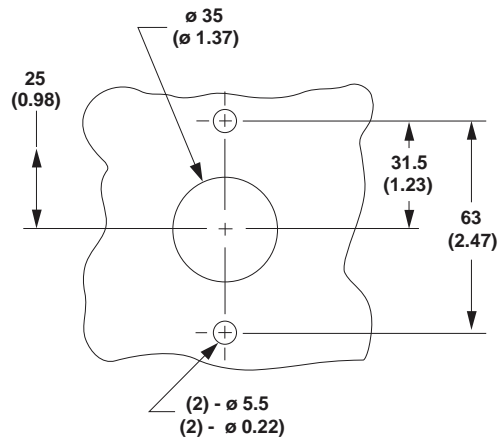
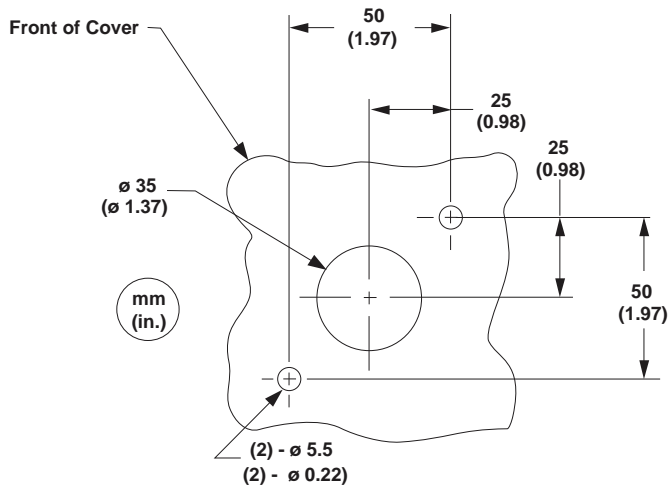
Cat. No. 140G-H-RVM... Rotary Handle Operating Mechanism — Door Mounted



3-Pole



4-Pole



Cat. No. 140G-H-RVM... Variable Depth Rotary Handle Operating Mechanism (For J-Frame Molded Case Circuit Breaker)

