

Figure 346 1/2

Malleable Iron Swing Check Valve

CRANE

700 SWP/1000 CWP • Y-Pattern • Threaded Ends

Figure 346 1/2

Threaded - Malleable Iron

Size Range:

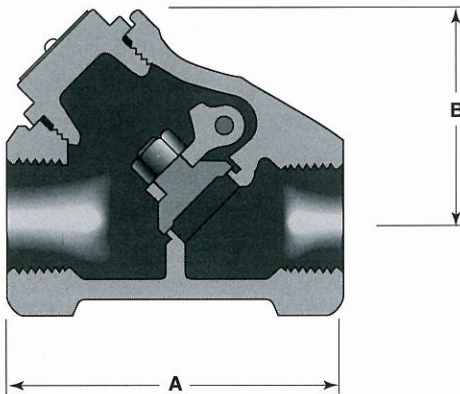
1/2 through 2 inches

Features

- Malleable Iron Body and Cap
- Hinge Pin 13% Chromium Stainless Steel
- ASME B1.20.1

For more detailed features, refer to page 35.

Temperature °F	Working Pressure Non-Shock, psi
-20 - 150°	1000
200	960
250	925
300	890
350	850
400	810
450	775
500	740
550	700



Principal Parts & Materials

Fig. No.	Size	Seating	End Conn.
346 1/2	1/2" - 2"	Iron	Threaded

Dimensions and Weights

Inches (millimeters) - pounds (kilograms)

Valves	1/2 (15)	3/4 (20)	1 (25)	1 1/4 (32)	1 1/2 (40)	2 (50)
A	2.76 (70)	3.28 (83)	4.05 (103)	4.75 (120)	5.40 (137)	6.62 (168)
B	1.68 (43)	2.00 (51)	2.50 (62)	2.85 (73)	3.29 (84)	4.28 (109)
Wt.	1.0 (0.43)	1.5 (0.65)	2.5 (1.11)	2.9 (1.30)	5.8 (2.61)	10.0 (4.51)