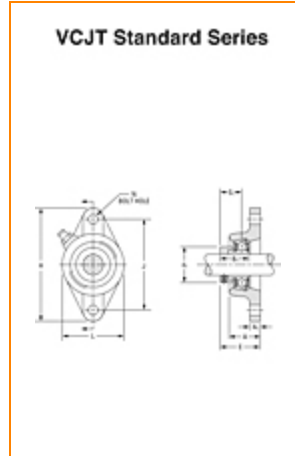




The Timken Company
 4500 Mt Pleasant St. NW
 N. Canton, OH 44720
 Phone: (234) 262-3000
 E-Mail: CustomerCAD@timken.com • Web site: www.timken.com

Timken Part Number VCJT 1 1/2, Fafnir® Two-Bolt Flanged Units Eccentric Locking Collar

RELATED PRODUCTS



[Specifications](#) | [Dimensions](#) | [Basic Load Ratings](#)

Specifications

Shaft Size d	1 1/2 in 38.1 mm
Bearing Type	Ball Bearing
Bearing Number	GRA108RRB
Dimension E	2.240 in 56.9 mm
Inside Ring Outside Diameter	2.291 in 58.2 mm
Series	Standard
Weight	4.575 lb 2.075 Kg

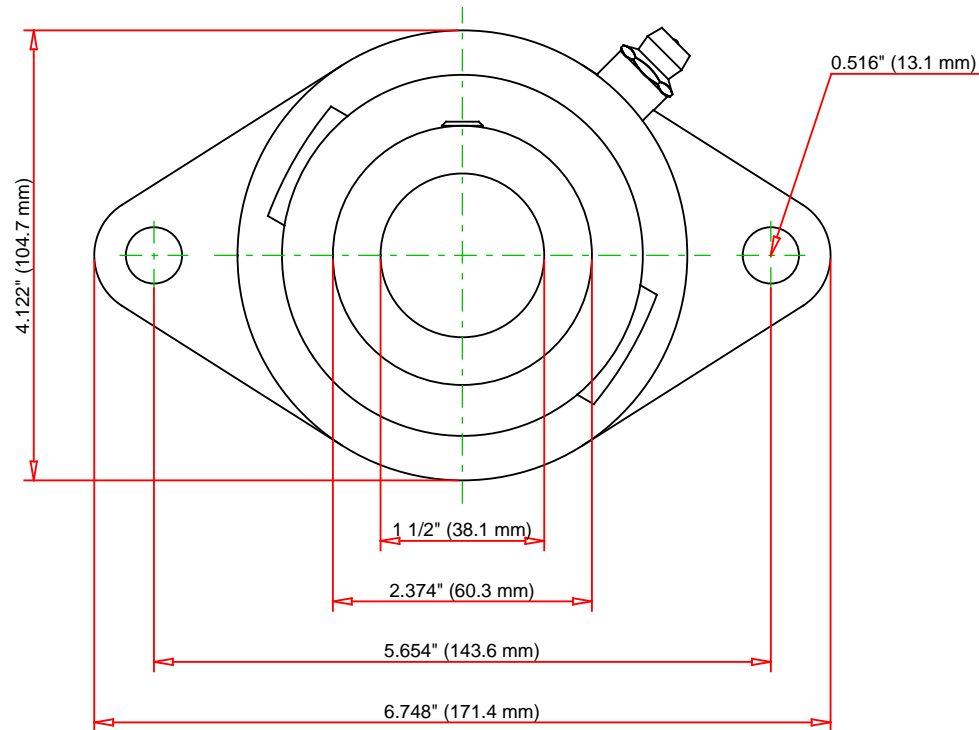
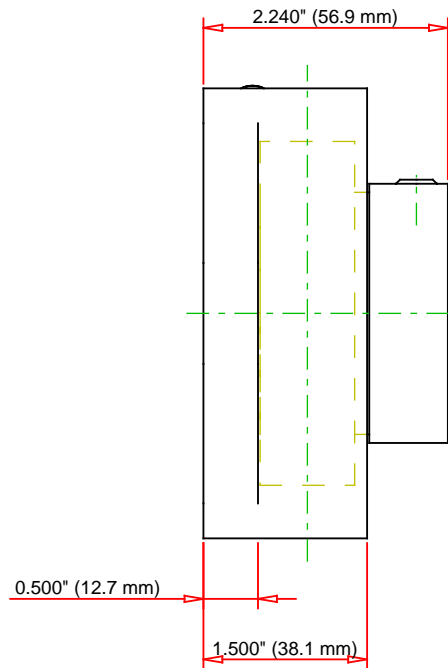
Seal Type	Molded Shroud
Housing Style	Two-Bolt Flange

Dimensions

Housing Width A	38.10 mm 1.500 in
Total Length H	171.4 mm 6.748 in
Total Height L	104.7 mm 4.122 in
Bolt Hole Spacing J	143.6 mm 5.654 in
Bolt Hole Size N	13.1 mm 0.516 in
Flange Thickness A1	12.70 mm 0.500 in
Center of Bearing from Housing End A2	24.4 mm 0.961 in
Inside Ring Width B	43.70 mm 1.720 in
Center of Bearing from Bearing End S	24.4 mm 0.961 in

Basic Load Ratings

Static Load Rating	8100 lbf 36000 N
Dynamic Load Rating	4400 lbf 19600 N



Bearing Number	GRA108RRB			
Load Ratings - C _r	8150	lbf	36000	N
Load Ratings - C _{0r}	4400	lbf	19600	N
Weight	4.575	lb	2.075	kg

TIMKEN

THE TIMKEN COMPANY
NORTH CANTON, OHIO USA

VCJT 1 1/2
Fafnir® Two-Bolt Flanged Units Eccentric Locking Collar

Every reasonable effort has been made to ensure the accuracy of the information contained in this writing, but no liability is accepted for errors, omissions or for any other reason.

FOR DISCUSSION ONLY