



The Timken Company
4500 Mt Pleasant St. NW
N. Canton, OH 44720
Phone: (234) 262-3000

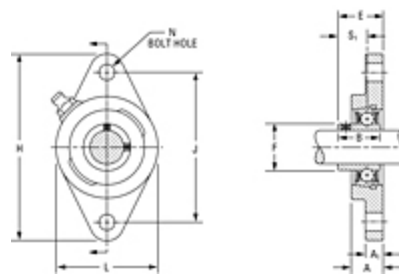
E-Mail: CustomerCAD@timken.com • Web site: www.timken.com

Timken Part Number SCJT 1, Fafnir® Two-Bolt Flanged Units Setscrew Locking

RELATED PRODUCTS



SCJT Standard Series



[Specifications](#) | [Dimensions](#) | [Basic Load Ratings](#)

Specifications

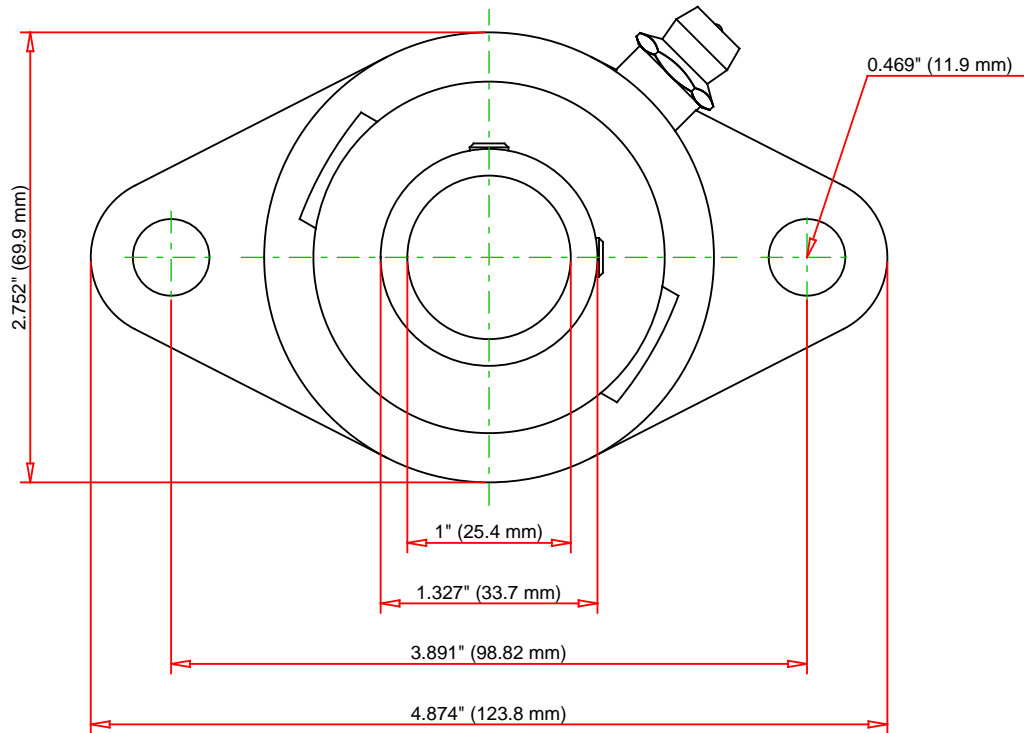
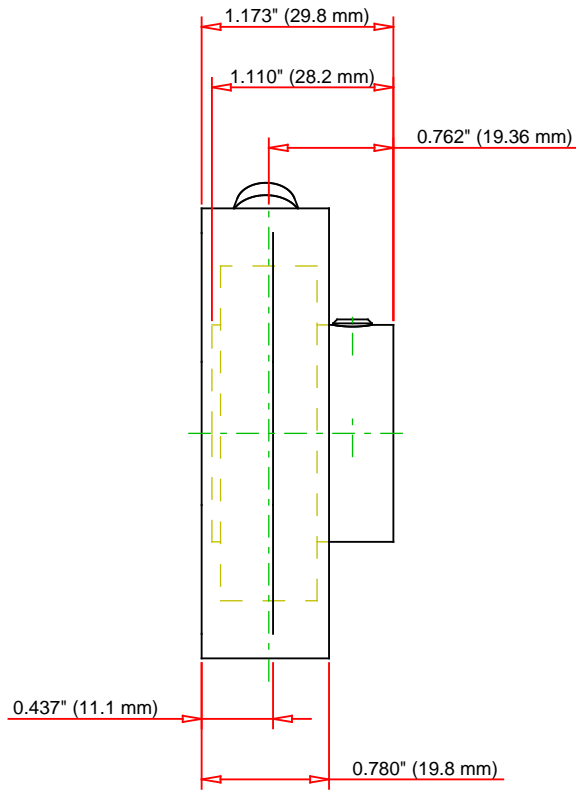
Bore Size d	1 in 25.4 mm
Bearing Number	GYA100RRB
Dimension E	1.173 in 29.8 mm
Inside Ring Outside Diameter	1.327 in 33.7 mm
Series	Standard
Weight	1.058 lb 0.48 Kg
Seal Type	Narrow Shroud

Dimensions

Total Length H	123.8 mm 4.874 in
Total Height L	69.9 mm 2.752 in
Total Width A	0.780 in 19.8 mm
Bolt Hole Spacing J	98.82 mm 3.891 in
Bolt Hole Size N	11.9 mm 0.469 in
Flange Thickness A1	11.1 mm 0.437 in
Center of Bearing from Housing End A2	10.4 mm 0.409 in
Inside Ring Width B	28.2 mm 1.110 in
Center of Bearing from Bearing End S	10.4 mm 0.409 in

Basic Load Ratings

Static Load Rating	1700 lbf 7700 N
Dynamic Load Rating	3600 lbf 15800 N



Bearing Number	GYA100RRB			
Load Ratings - C _r	3550	lbf	15800	N
Load Ratings - C _{0r}	1730	lbf	7700	N
Weight	1.058	lb	0.48	kg
Bolt Size	M6x1			

TIMKEN

THE TIMKEN COMPANY
NORTH CANTON, OHIO USA

SCJT 1

Fafnir® Two-Bolt Flanged Units Setscrew Locking

Every reasonable effort has been made to ensure the accuracy of the information contained in this writing, but no liability is accepted for errors, omissions or for any other reason.

FOR DISCUSSION ONLY