



The Timken Company
4500 Mt Pleasant St. NW
N. Canton, OH 44720
Phone: (234) 262-3000

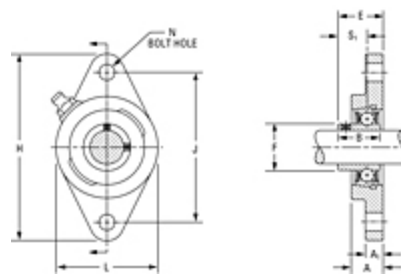
E-Mail: CustomerCAD@timken.com • Web site: www.timken.com

Timken Part Number SCJT 1 1/4 S, Fafnir® Two-Bolt Flanged Units Setscrew Locking

RELATED PRODUCTS



SCJT Standard Series



[Specifications](#) | [Dimensions](#) | [Basic Load Ratings](#)

Specifications

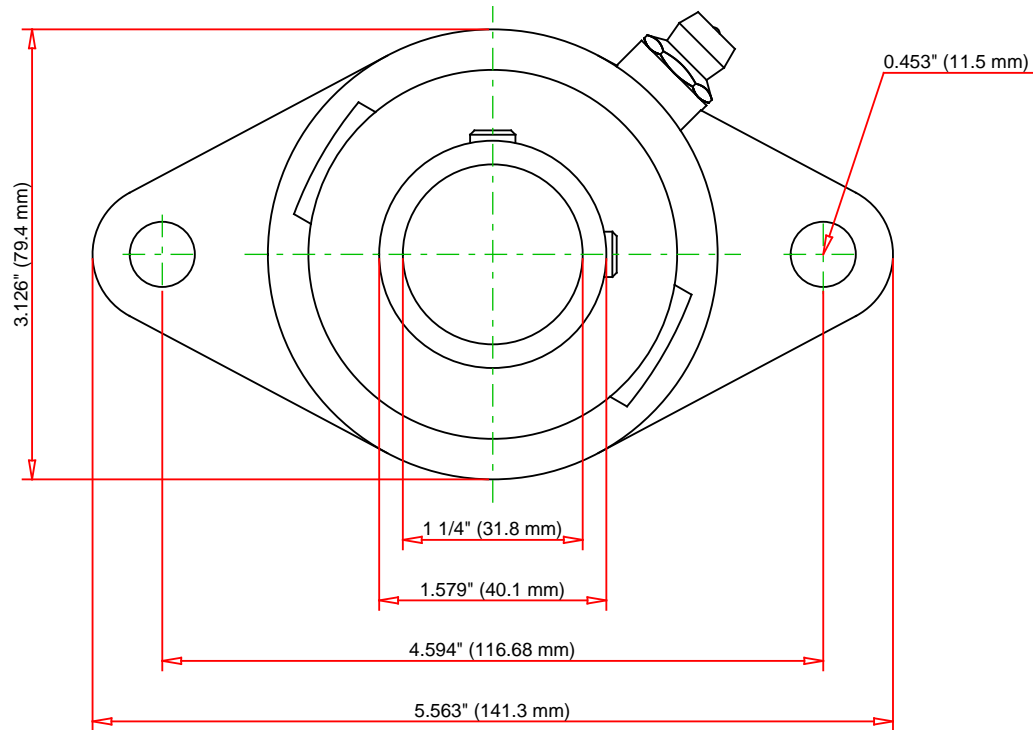
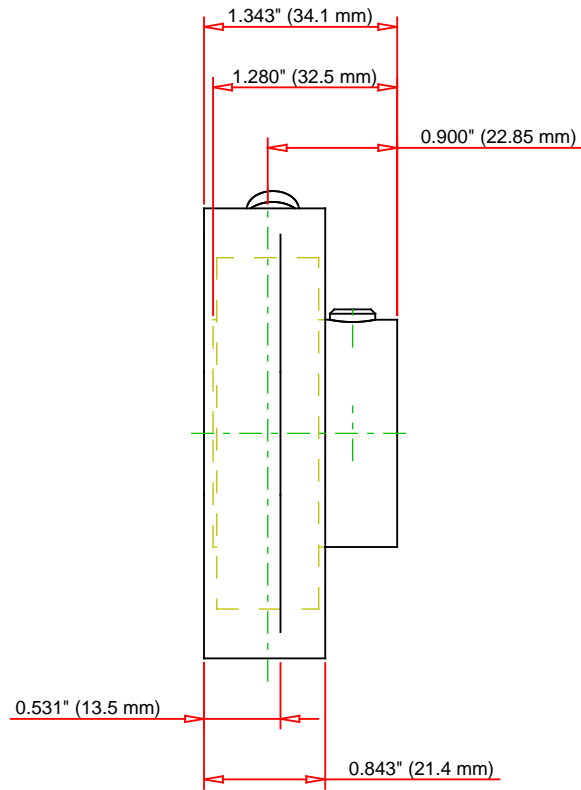
Bore Size d	1 1/4 in 31.8 mm
Bearing Number	GYA103RRB2
Dimension E	1.343 in 34.1 mm
Inside Ring Outside Diameter	1.579 in 40.1 mm
Series	Standard
Weight	1.587 lb 0.72 Kg
Seal Type	Narrow Shroud

Dimensions

Total Length H	141.3 mm 5.563 in
Total Height L	79.4 mm 3.126 in
Total Width A	0.843 in 21.4 mm
Bolt Hole Spacing J	116.68 mm 4.594 in
Bolt Hole Size N	11.5 mm 0.453 in
Flange Thickness A1	13.5 mm 0.531 in
Center of Bearing from Housing End A2	11.1 mm 0.437 in
Inside Ring Width B	32.5 mm 1.280 in
Center of Bearing from Bearing End S	11.1 mm 0.437 in

Basic Load Ratings

Static Load Rating	2500 lbf 11100 N
Dynamic Load Rating	4900 lbf 21800 N



Bearing Number	GYA103RRB2			
Load Ratings - C _r	4900	lbf	21800	N
Load Ratings - C _{0r}	2500	lbf	11100	N
Weight	1.587	lb	0.72	kg
Bolt Size	M8x1.25			

TIMKEN

THE TIMKEN COMPANY
NORTH CANTON, OHIO USA

SCJT 1 1/4 S
Fafnir® Two-Bolt Flanged Units Setscrew Locking

Every reasonable effort has been made to ensure the accuracy of the information contained in this writing, but no liability is accepted for errors, omissions or for any other reason.

FOR DISCUSSION ONLY