

# 1783-NATR, Network Address Translation Router



Simplified integration of machines into an existing network architecture

## Features and Benefits

- Uses simple 1:1 Network Address Translation (NAT) to map IP addresses on the machine subnet to IP addresses on the control network (*Support for up to 32 translation mappings*)
- Support for Linear or Device Level Ring (DLR) topologies on the machine network
- Configurable via web page and/or Electronic Data Sheet (EDS) Add-on Profile (AOP)
- Simplified device backup and restore via SD card storing configuration
- Enables redirection of selected protocols, such as CIP, ICMP, HTTP, DNS for stable network connection

*By simplifying configuration efforts, the 1783-NATR can reduce installation complexity for a more economical solution.*



Wide deployment of EtherNet/IP in industrial automation means that there is a growing demand to properly manage machines on the network, while minimizing installation and configuration efforts associated with integrating hardware into an existing system.

Machine builders can use the Allen-Bradley® 1783-NATR to deliver standard machines to end users without programming unique IP addresses. This enables machines to be added, moved, or replaced with little, to no configuration. By using 1783-NATR between the control network and the machine, it is configured once, which enables isolation of the machine's physical IP address from the control network to ease configuration efforts.

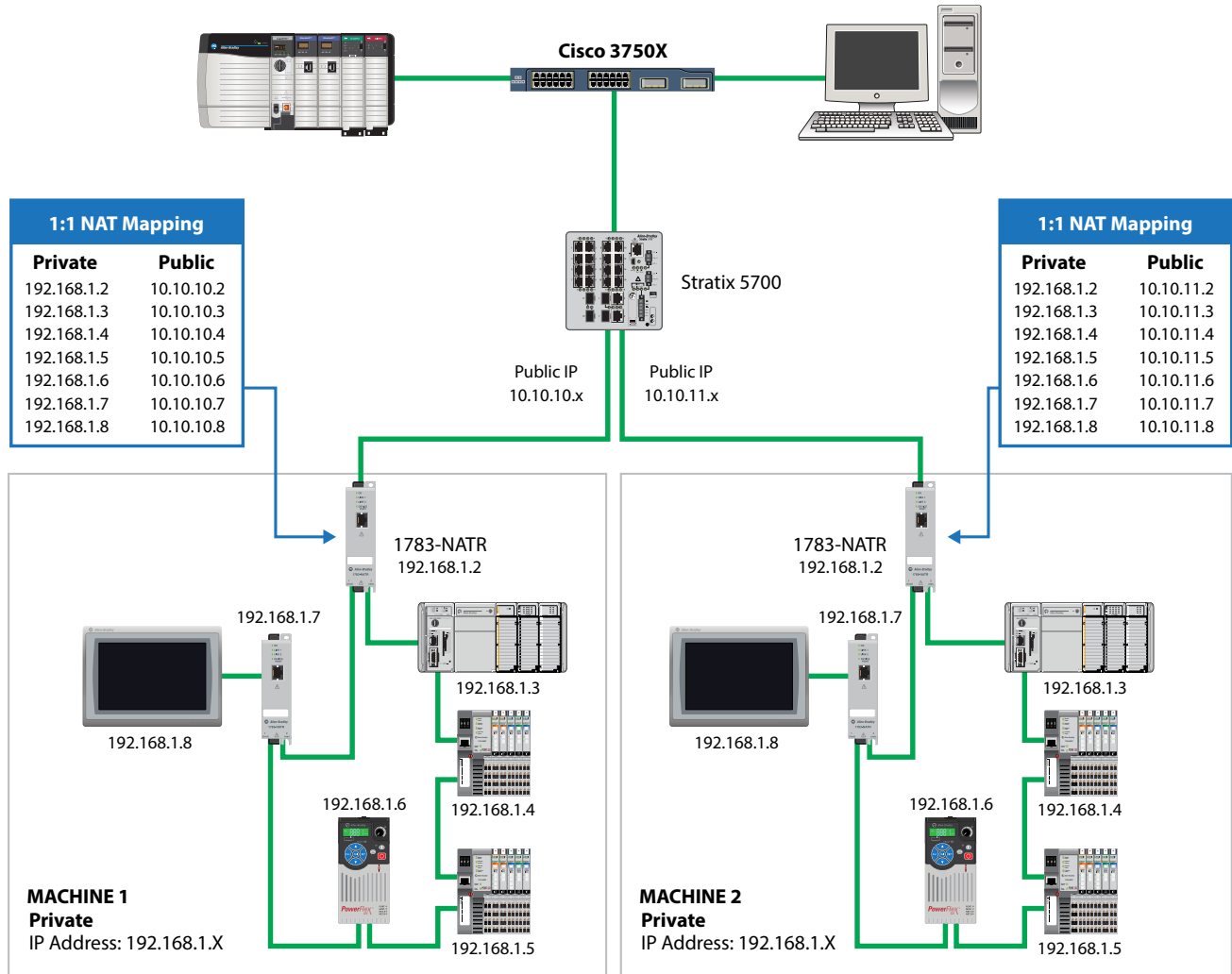
Configuration of the device is done using a module web page and/or EDS AOP using Studio 5000 Automation Engineering & Design Environment™. Both options provide product details, configuration of NAT mapping and Ethernet ports and network diagnostics.

LISTEN.  
THINK.  
SOLVE.®

## Network Address Translation

Accessing real-time data is becoming more important to manufacturers, requiring machine builders to build smarter machines that can collect and forward data. To produce and provide data, machines need to be integrated into the broader plant network, where the information can be analyzed and sent to the right place at the right time.

Network Address Translation, or NAT, provides flexibility to segment or isolate network traffic by determining which devices are exposed to the larger network. By limiting access to certain devices, they are isolated from unnecessary network traffic, which can help optimize network performance at the local level.



Allen-Bradley, LISTEN. THINK. SOLVE. and Rockwell Software are trademarks of Rockwell Automation, Inc. Trademarks not belonging to Rockwell Automation are property of their respective companies.

[www.rockwellautomation.com](http://www.rockwellautomation.com)

### Power, Control and Information Solutions Headquarters

Americas: Rockwell Automation, 1201 South Second Street, Milwaukee, WI 53204-2496 USA, Tel: (1) 414.382.2000, Fax: (1) 414.382.4444

Europe/Middle East/Africa: Rockwell Automation NV, Pegasus Park, De Kleetlaan 12a, 1831 Diegem, Belgium, Tel: (32) 2 663 0600, Fax: (32) 2 663 0640

Asia Pacific: Rockwell Automation, Level 14, Core F, Cyberport 3, 100 Cyberport Road, Hong Kong, Tel: (852) 2887 4788, Fax: (852) 2508 1846